

# **User Manual of 19-inch IT-E151A Cabinet Rack**

## Notices

© Itech Electronics, Co., Ltd. 2016  
No part of this manual may be reproduced in any form or by any means (including electronic storage and retrieval or translation into a foreign language) without prior permission and written consent from Itech Electronics, Co., Ltd. as governed by international copyright laws.

### Manual Part Number

IT-E151A-402227

### Revision

1st Edition: March 10, 2016  
Itech Electronics, Co., Ltd.

### Trademarks

Pentium is U.S. registered trademarks of Intel Corporation.

Microsoft, Visual Studio, Windows and MS Windows are registered trademarks of Microsoft Corporation in the United States and/or other countries and regions.

## Warranty

The materials contained in this document are provided “as is”, and is subject to change, without prior notice, in future editions. Further, to the maximum extent permitted by applicable laws, ITECH disclaims all warranties, either express or implied, with regard to this manual and any information contained herein, including but not limited to the implied warranties of merchantability and fitness for a particular purpose. ITECH shall not be held liable for errors or for incidental or indirect damages in connection with the furnishing, use or application of this document or of any information contained herein. Should ITECH and the user enter into a separate written agreement with warranty terms covering the materials in this document that conflict with these terms, the warranty terms in the separate agreement shall prevail.

## Technology Licenses

The hardware and/or software described herein are furnished under a license and may be used or copied only in accordance with the terms of such license.

## Restricted Rights Legend

Restricted permissions of the U.S. government. Permissions for software and technical data which are authorized to the U.S. Government only include those for custom provision to end users ITECH provides this customary commercial license in software and technical data pursuant to FAR 12.211 (Technical Data) and 12.212 (Computer Software) and, for the Department of Defense, DFARS 252.227-7015 (Technical Data – Commercial Items) and DFARS 227.7202-3 (Rights in Commercial Computer Software or Computer Software Documentation).

## Safety Notices

### CAUTION

A CAUTION sign denotes a hazard.

It calls attention to an operating procedure or practice that, if not correctly performed or adhered to, could result in damage to the product or loss of important data. Do not proceed beyond a CAUTION sign until the indicated conditions are fully understood and met.

---

### WARNING

A WARNING sign denotes a hazard. It calls attention to an operating procedure or practice that, if not correctly performed or adhered to, could result in personal injury or death. Do not proceed beyond a WARNING sign until the indicated conditions are fully understood and met.

---



### NOTE

A NOTE sign denotes important hint. It calls attention to tips or supplementary information that is essential for users to refer to.

## Quality Certification and Assurance

We certify that IT-E151A rack meets all the published specifications.

## Warranty

ITECH warrants that the product will be free from defects in material and workmanship under normal use for a period of one (1) year from the date of delivery (except those described in the Limitation of Warranty below).

For warranty service or repair, the product must be returned to a service center designated by ITECH.
















- The product returned to ITECH for warranty service must be shipped PREPAID. And ITECH will pay for return of the product to customer.
- If the product is returned to ITECH for warranty service from overseas, all the freights, duties and other taxes shall be on the account of customer.

## Limitation of Warranty




This Warranty will be rendered invalid if the product is:

- Damage caused by circuit installed by customer or using customer own products or accessories;
- Modified or repaired by customer without authorization;
- Damage caused by circuit installed by customer or not operating our products under designated environment;
- The product model or serial number is modified, deleted, removed or illegible;
- Damaged as a result of accidents, including but not limited to lightning, moisture, fire, improper use or negligence.

## Safety Symbols

	Direct current		ON (power on)
	Alternating current		OFF (power off)
	Both direct and alternating current		Power-on state
	Protective conductor terminal		Power-off state
	Earth (ground) terminal		Reference terminal
	Caution, risk of electric shock		Positive terminal
	Warning, risk of danger (refer to this manual for specific Warning or Caution information)		Negative terminal
	Frame or chassis terminal	-	-

## Regulatory Markings

	The CE mark is a registered trademark of the European Community. This CE mark shows that the product complies with all the relevant European Legal Directives.
	The instrument complies with the WEEE Directive (2002/96/EC) marking requirement. This affixed product label indicates that you must not discard the electrical/electronic product in domestic household waste.
	This symbol indicates the time period during which no hazardous or toxic substances are expected to leak or deteriorate during normal use. The expected service life of the product is 10 years. The product can be used safely during the 10-year Environment Friendly Use Period (EFUP). Upon expiration of the EFUP, the product must be immediately recycled.

## Waste Electrical and Electronic Equipment (WEEE) Directive



2002/96/EC Waste Electrical and Electronic Equipment (WEEE) Directive

This product complies with the WEEE Directive (2002/96/EC) marking requirement. This affix product label indicates that you must not discard the electrical/electronic product in domestic household waste.

Product Category

With reference to the equipment classifications described in the Annex I of the WEEE Directive, this instrument is classified as a "Monitoring and Control Instrument" product.

To return this unwanted instrument, contact your nearest ITECH office.

## Declarations of Conformity

IT8600 Electronic Load complies with the following EMC (electromagnetic compatibility), safety and environmental standards:

EC Declaration of Conformity - EMC

The instrument complies with EMC requirements of Directive 2004/108/EC. Compliance was demonstrated to the following specifications as listed in the Official Journal of the European Communities:

**EN 6100061326-1:2006: Electrical equipment for measurement, control and laboratory use - EMC requirements.** <sup>123</sup>

- CISPR 11:2003. CISPR 11:2003 Radiated and conducted emissions, Group 1, Class A
- IEC 61000-4-2:2001. Electrostatic discharge immunity

- IEC 61000-4-3:2002. Radiofrequency electromagnetic field immunity<sup>4</sup>
- IEC 61000-4-4:2004. Electrical fast transient/burst immunity.
- IEC 61000-4-5:2001. Power line surge immunity.
- IEC 61000-4-6:2003. Immunity to conducted disturbances induced by radiofrequency<sup>5</sup>
- IEC 61000-4-11:2004. voltage dips, short interruptions and voltage variations immunity<sup>6</sup>

**EN 61000-3-2:2006: Harmonic emission on AC power line.**

**EN 61000-3-3:1995: Voltage change, fluctuation and flicker**

1 The product is intended for use in non-residential/non-domestic environments. Use of the product in residential/domestic environments may cause electromagnetic interference.

2 Connection of the instrument to a test object may produce radiations beyond the specified limit.

3. Use high-performance shielded interface cable to ensure conformity with the EMC standards listed above.

4 Trace bloom not exceeding 4 divisions pk-to-pk may be induced under the test conditions specified in IEC 61000-4-3.

5 Trace bloom not exceeding 1 divisions pk-to-pk may be induced under the test conditions specified in IEC 61000-4-6.

6 This specification C is applied to 70% voltage drop in 25 cycles and 0% voltage interruption in 250 cycles subject to IEC 61000-4-11.

# Content

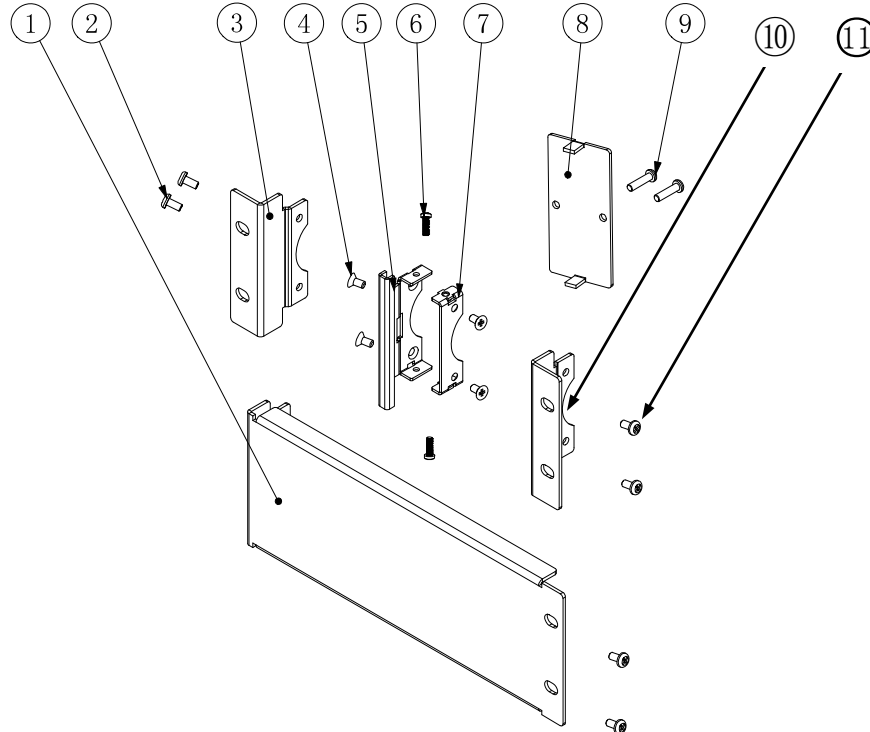
QUALITY CERTIFICATION AND ASSURANCE .....	1
WARRANTY .....	1
LIMITATION OF WARRANTY .....	1
SAFETY SYMBOLS.....	1
REGULATORY MARKINGS .....	2
WASTE ELECTRICAL AND ELECTRONIC EQUIPMENT (WEEE) DIRECTIVE .....	2
DECLARATIONS OF CONFORMITY .....	2
<b>CHAPTER I ABOUT IT-E151A.....</b>	<b>1</b>
1.1 PREPARATION.....	1
1.2 MOUNTING A SINGLE INSTRUMENT.....	3
1.3 MOUNTING TWO INSTRUMENTS .....	4

# Chapter I About IT-E151A

Most ITECH loads (Series IT8900/IT8500 (power below 1800W)/IT8811/IT8812) and power supplies (Series IT6800, IT6900, IT6322, IT6120, IT6150, IT6400, IT6700H (except IT6726)) are compatible with a standard 19-inch cabinet. Now, ITECH provides you with a specially designed rack - IT-E151A.

## 1.1 Introduction

IT-E151A is a decentralized installation kit, the different parts to install different instruments and IT-E151A full installation kit as shown below.

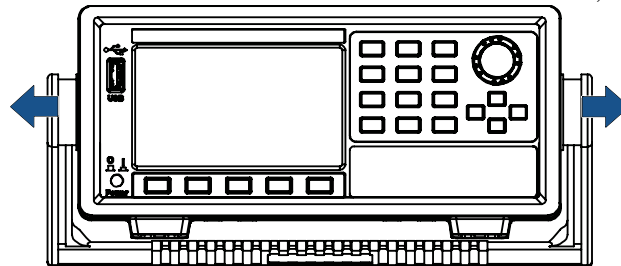


- When mounting a single instrument it needs the 1/2/3 rack accessories.
- When mounting two instruments it needs the 2/3/4/5/6/7/8/9/10/11 rack accessories.

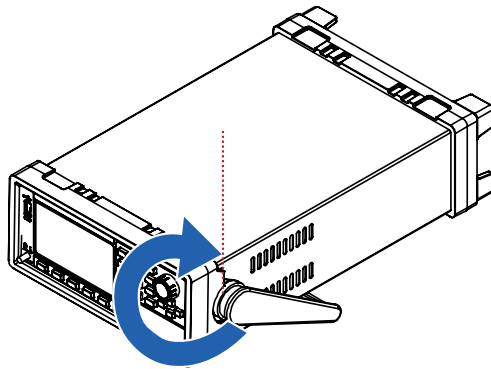
## 1.2 Preparation

Before using the IT-E151A rack, please remove the instrument handle and feet. Detailed steps (taking IT9121 power meter as an example) are listed below.

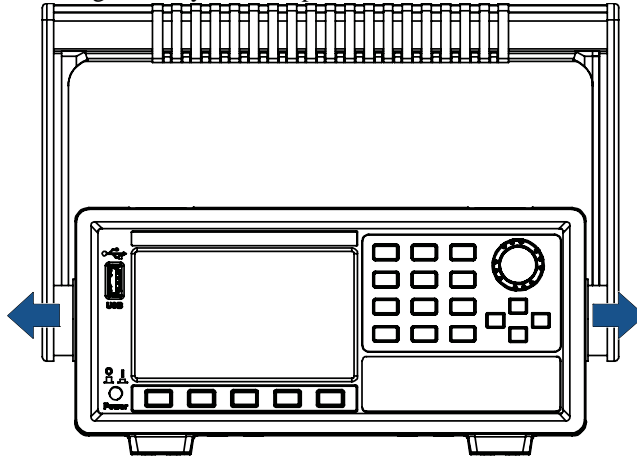
1. Pull out the handle outwards until it is rotatable, as shown below.



2. Rotate the handle to a desired position, as shown below.



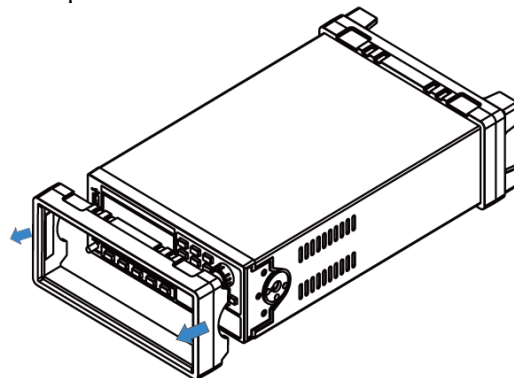
3. Align the bayonet and pull out the handle towards two ends.



#### NOTE

There is a bayonet pin between the handle and the instrument. To facilitate handle removal, be sure to align the bayonet with the bayonet pin. Carefully remove the handle and mind your hands.

4. Remove the protection cover. The rack mounting holes are on both sides of the instrument front panel.



#### NOTE

The ITECH instruments have different structures. During preparation, note that:

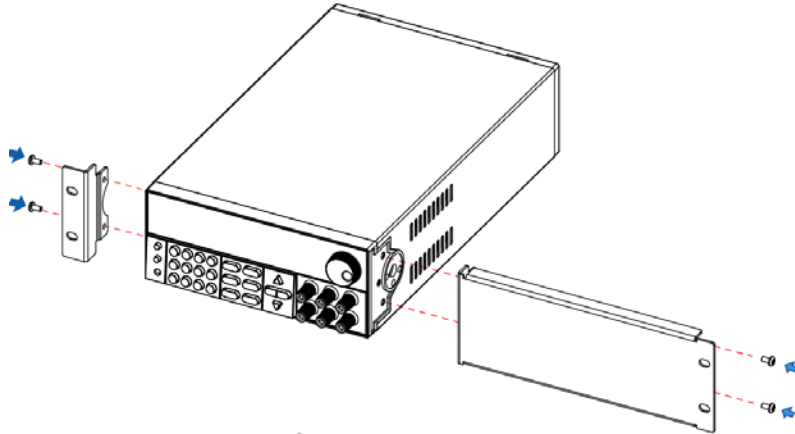
- Some models have no protection covers. In this case, remove the feet.
- Some instruments have gray stickers over the mounting holes on both sides. After the removal of the handle, please uncover the stickers to find out the holes.

----End

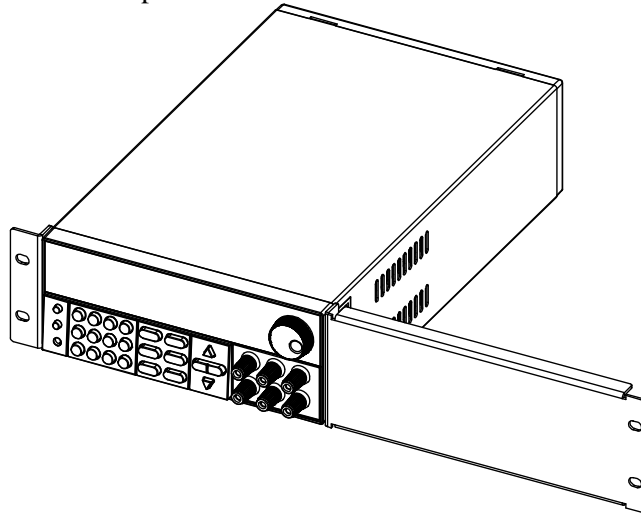


## 1.3 Mounting a Single Instrument

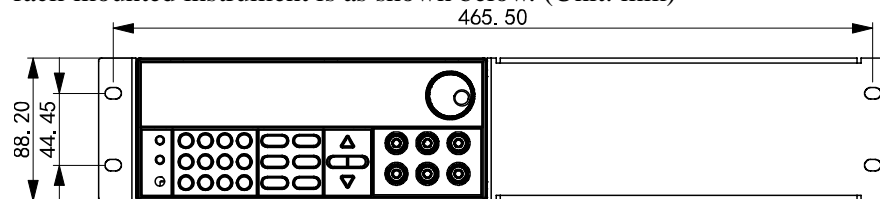
1. As shown below, mount the IT-E151A rack accessories to the left and right sides of the instrument.



2. Effect picture is as shown below.



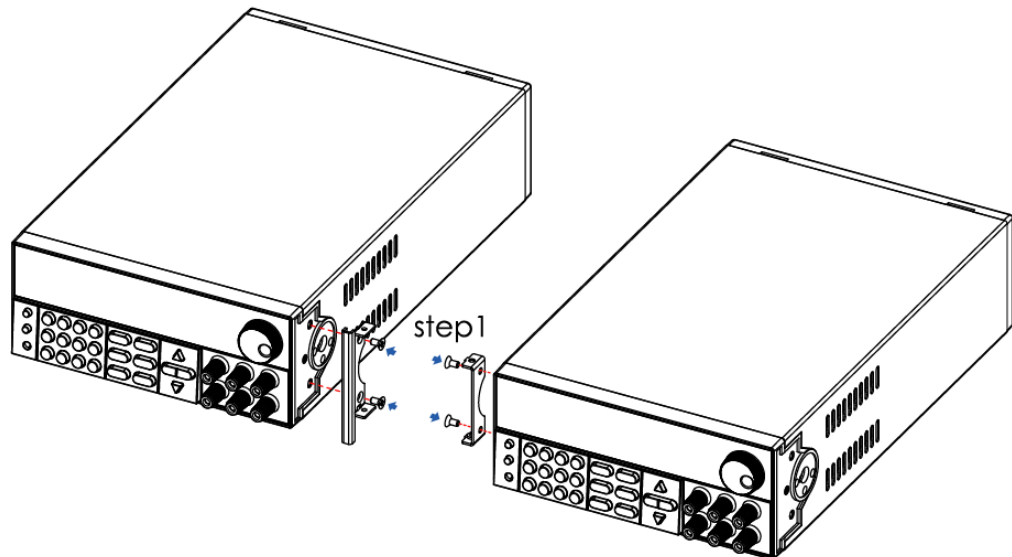
3. You may install the rack-mounted instrument on a standard cabinet. The size for a rack-mounted instrument is as shown below. (Unit: mm)



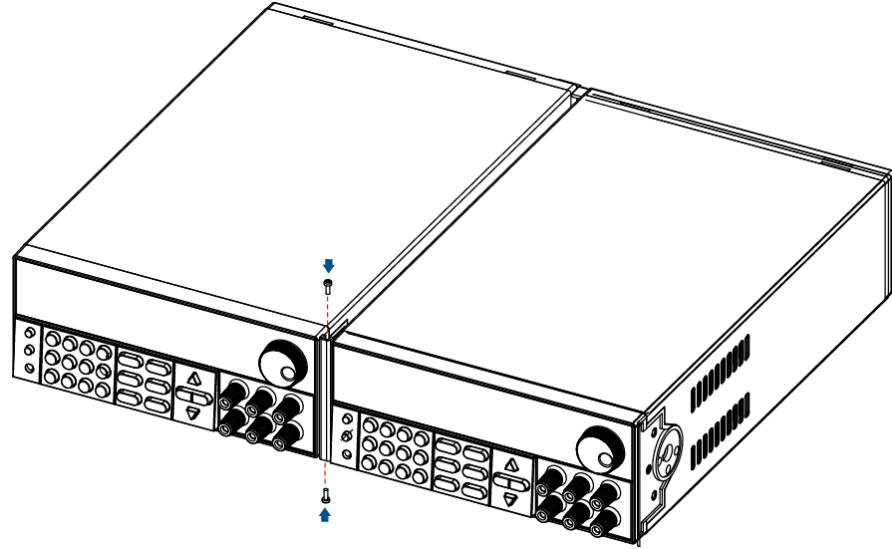
---End

## 1.4 Mounting Two Instruments

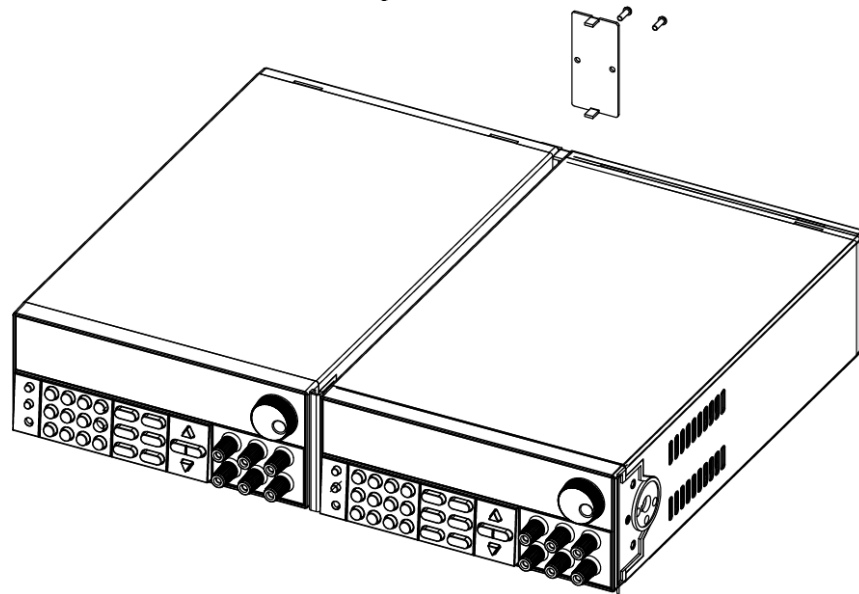
1. As shown below, mount the IT-E151A rack accessories to the connecting facet where the two instruments are to be combined.



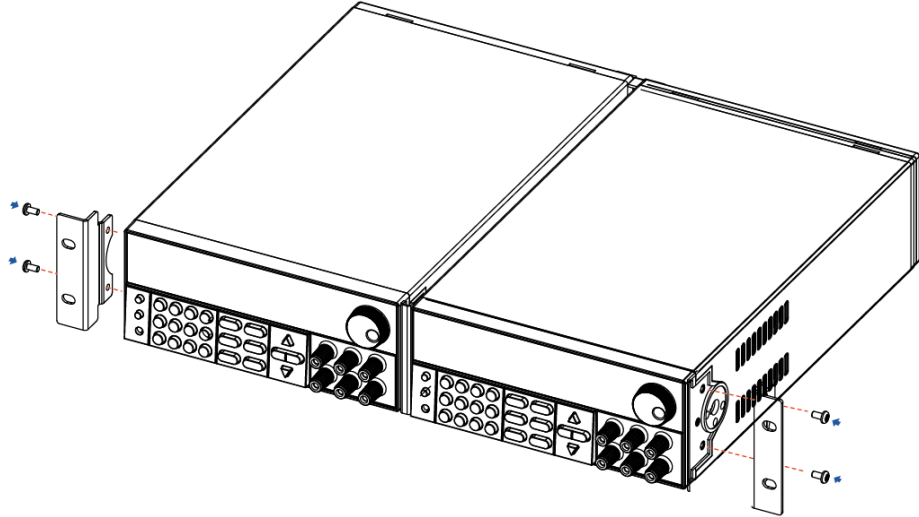
- After mounting, combine the two instruments and screw the accessories as mounted in Step 1, as shown below.



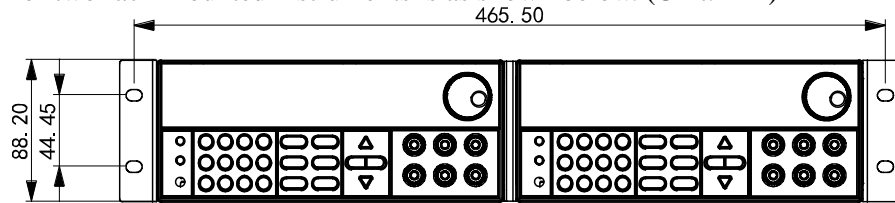
- Mount the fasteners on the rear panel, as shown below.



- After the two instruments are combined, mount the left and right ears of the IT-E151A rack to both sides of the two instruments, as shown below.



- You may install the two rack-mounted instruments on a standard cabinet. The size for two rack-mounted instruments is as shown below. (Unit: mm)



----End

## **Contact US**

Thank you for purchasing ITECH products. If you have any doubt about this product, please contact us as follows.

1. Please refer to the CD-ROM of related user's manual in package.
2. Visit ITECH website [www.itechate.com](http://www.itechate.com).
3. Select the most convenient contact for further consultation.